



# CDVI

Security to Access

BPNONFE24

BNONFE24



## BNONFE24 BPNONFE24

*Illuminated push button 24Vdc*



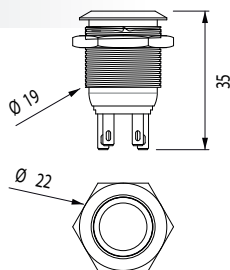
EN SE DK

## 1] PRODUCT PRESENTATION

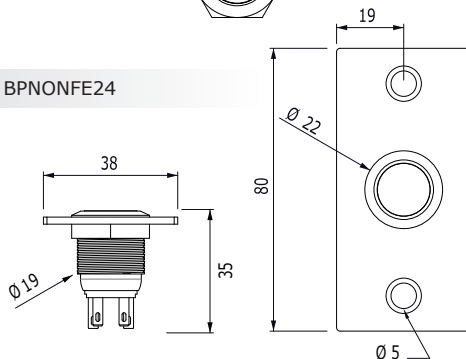

- **Illuminated (blue).**
- **Easy to mount (19mm hole).**
- **Heavy duty.**
- **Available in versions :**
  - Flush mount (BNONFE24),
  - With a stainless steel plate (BPNONFE24).
- **Input voltage:**
  - Contact : 24V - 2,5 A
  - LED : 24Vdc

- Material: cast aluminium body and stainless steel.
- Push button with Silver plated contact switch.
- Wires with lug supplied.
- NO or NC contact outputs.

BNONFE24



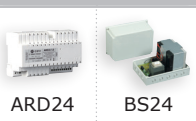
BPNONFE24



 Environmental tests:  
 Salt spray


 IP67


 -40°C to +70°C

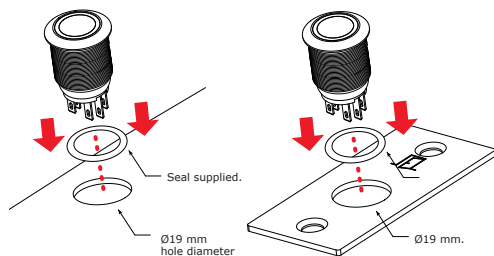

**H.R.V.**  
 HIGH RESISTANCE  
 TO VANDALISM

**Recommended  
 power supplies**


ARD24

BS24

## 2] MOUNTING



## 3] WIRING DIAGRAM

CABLE COLORS	
<b>NC</b>	BLACK
<b>NO</b>	RED
<b>COM</b>	WHITE
<b>24V</b>	BLUE
<b>0V</b>	GREY

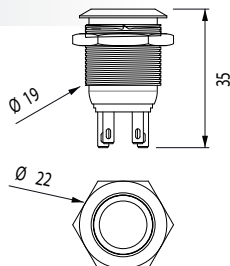


## 1] PRODUKTSPECIFIKATION

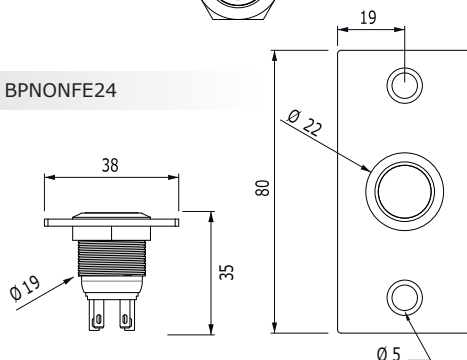
- **Bakgrundsbelyst (blå).**
- **Enkel att installera (19MM hål).**
- **Klarar hög belastning.**
- **Finns i olika utföranden :**
  - Infällt montage (BNONFE24),
  - Med rostfri platta (BPNONFE24).
- **Spänningsmatning**
  - Kontakt : 24V - 2,5 A
  - LED : 24Vdc

- Material: aluminium kropp och rostfritt stål
- Tryckknapp med silverplaterad kontakt.
- Kablage på stift.
- NO eller NC utgång.

BNONFE24



BPNONFE24



## 3] INKOPPLINGAR

Kablage	
NC	Svart
NO	Röd
COM	Vit
24V	dcBlå
0V	Grå

Miljötest:  
Saltspray

IP67

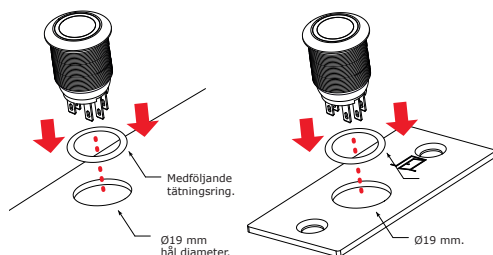
-40°C till +70°C

**H.R.V.**  
HIGH RESISTANCE  
TO VANDALISM

Rekommenderade  
nätaggregat



## 2] INSTALLATION





## 1] PRODUKTSPECIFIKATION

- **Baggrundsbelyst (blå).**
- **Nem at montere (19 mm. hul).**
- **Kan klare høj belastning.**
- **Fås i versionerne:**
  - Indfældet montering (BNONFE24).
  - Med rustfri stålplade (BPNONFE24).
- **Inputspænding:**
  - Kontakt: 24V – 2,5 A.
  - LED: 24V DC.

- Materiale: støbt aluminium og rustfrit stål.
- Trykknop med sølvbelagt kontakt.
- Pin kabler følger med.
- NO- eller NC-udgang.

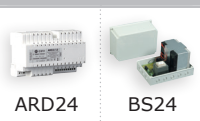
 Miljøtest:  
Saltspray

 IP67

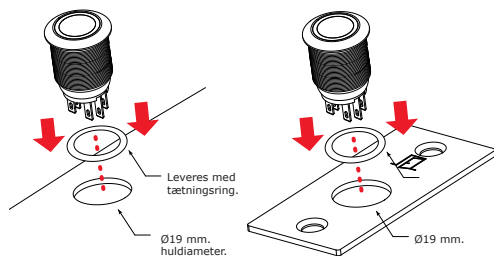
 -40°C til +70°C

**H.R.V.**  
HIGH RESISTANCE  
TO VANDALISM

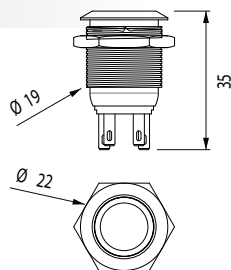
**Anbefalede  
strømforsyninger**



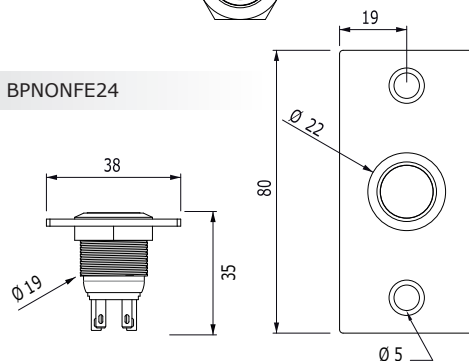
## 2] MONTERING



BNONFE24



BPNONFE24



## 3] KOBLINGSSKEMA

KABELFARVER	
NC	SORT
NO	RØD
COM	HVID
24V	BLÅ
0V	GRÅ





# CDVI

Security to Access

Extranet : CDVI\_IM BNONFE24 - BPNONFE24 CMYK A5 EN-SE-DK 01

**CDVI Group**

FRANCE (Headquarters)

Phone: +33 (0) 1 48 91 01 02

.....

**CDVI FRANCE + EXPORT**

+33 (0) 1 48 91 01 02

[www.cdvi.com](http://www.cdvi.com)

**CDVI AMERICAS [CANADA - USA]**

+1 (450) 682 7945

[www.cdvi.ca](http://www.cdvi.ca)

**CDVI BENELUX [BELGIUM - NETHERLANDS - LUXEMBOURG]**

+32 (0) 56 73 93 00

[www.cdviBenelux.com](http://www.cdviBenelux.com)

**CDVI TAIWAN**

+886 (0) 42471 2188

[www.cdviChina.cn](http://www.cdviChina.cn)

**CDVI SUISSE**

+41 (0) 21 882 18 41

[www.cdvi.ch](http://www.cdvi.ch)

**CDVI CHINA**

+86 (0) 10 84606132/82

[www.cdviChina.cn](http://www.cdviChina.cn)

**CDVI IBÉRICA [SPAIN - PORTUGAL]**

+34 (0) 935 390 966

[www.cdviIberica.com](http://www.cdviIberica.com)

**CDVI ITALIA**

+39 (0) 321 90 573 - [www.cdvi.it](http://www.cdvi.it)

**CDVI MAROC**

+212 (0) 5 22 48 09 40

[www.cdvi.ma](http://www.cdvi.ma)

**CDVI NORDICS [SWEDEN - DENMARK - NORWAY - FINLAND]**

+46 (0) 31 760 19 30

[www.cdvi.se](http://www.cdvi.se)

**CDVI UK [UNITED KINGDOM - IRELAND]**

+44 (0) 1628 531300

[www.cdvi.co.uk](http://www.cdvi.co.uk)

**CDVI POLSKA**

+48 (0) 12 659 23 44

[www.cdvi.com.pl](http://www.cdvi.com.pl)

*All the information contained within this document (pictures, drawings, features, specifications and dimensions) could be perceptibly different and can be changed without prior notice.*

**[www.cdvigroup.com](http://www.cdvigroup.com)**